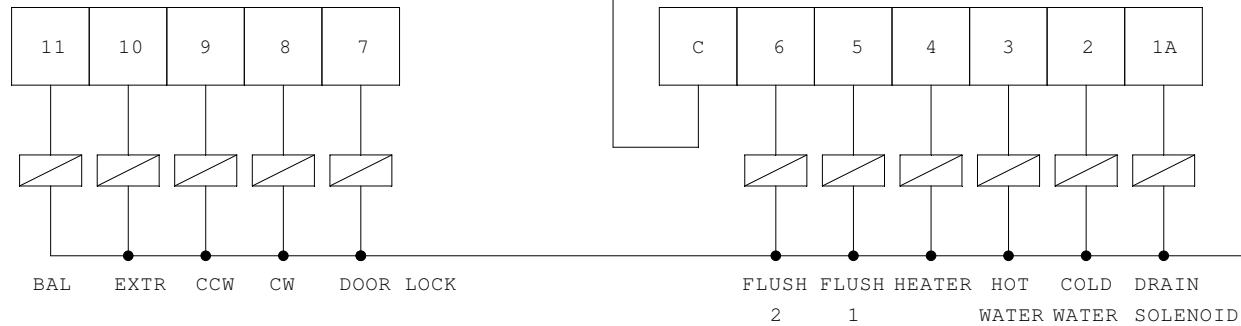


LED 1 between 1 (A) and 10 (K)
LED 2 between 2 (A) and 10 (K)

LED 9 between 9 (A) and 10 (K)



Title		PLC V16.x P16.x	
Company		BK Electronics cc	
Author		B Kok	
Size	C	Revision	
Date:	February 28, 2006	12:21:00	Sheet of