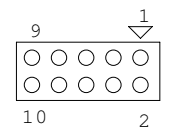
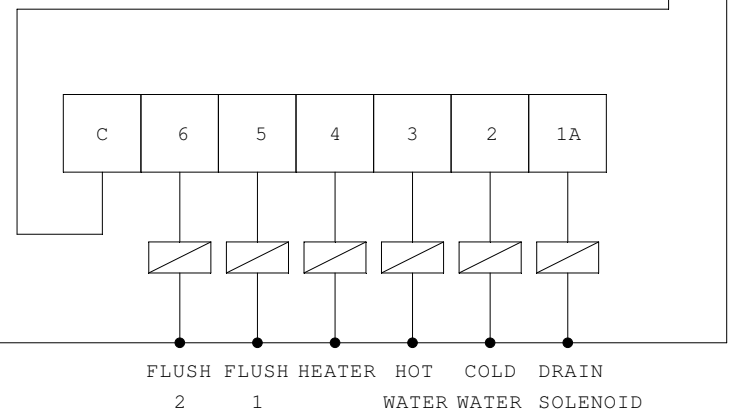
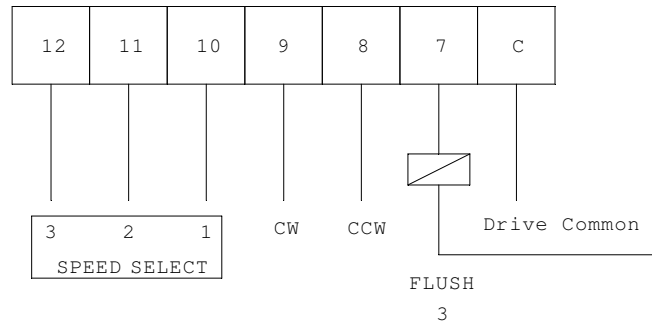


IF NO TEMP PROBE  
SHORT TP to +



LED 1 between 1 (A) and 10 (K)  
LED 2 between 2 (A) and 10 (K)  
  
LED 9 between 9 (A) and 10 (K)



used by GROUP 4 in Capetown

Title		PLC V21.x P21.x	
Company		BK Electronics cc	
Author		B Kok	
Size	C	Revision A	
Date:	May 27, 2008	09:12:00	Sheet of